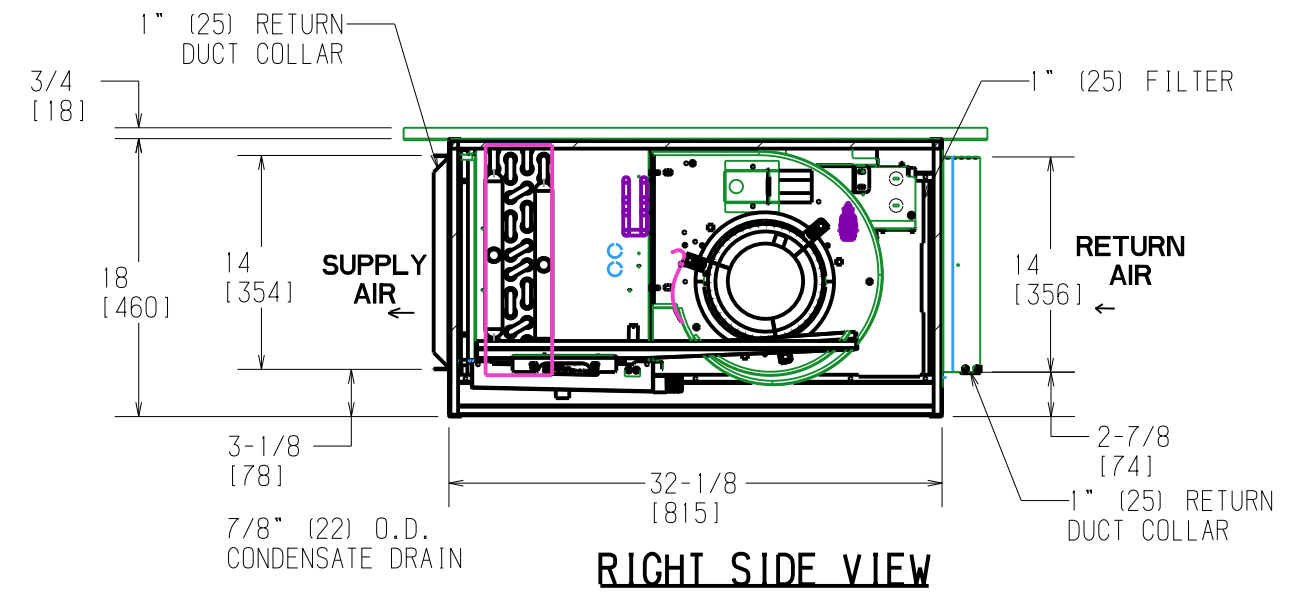
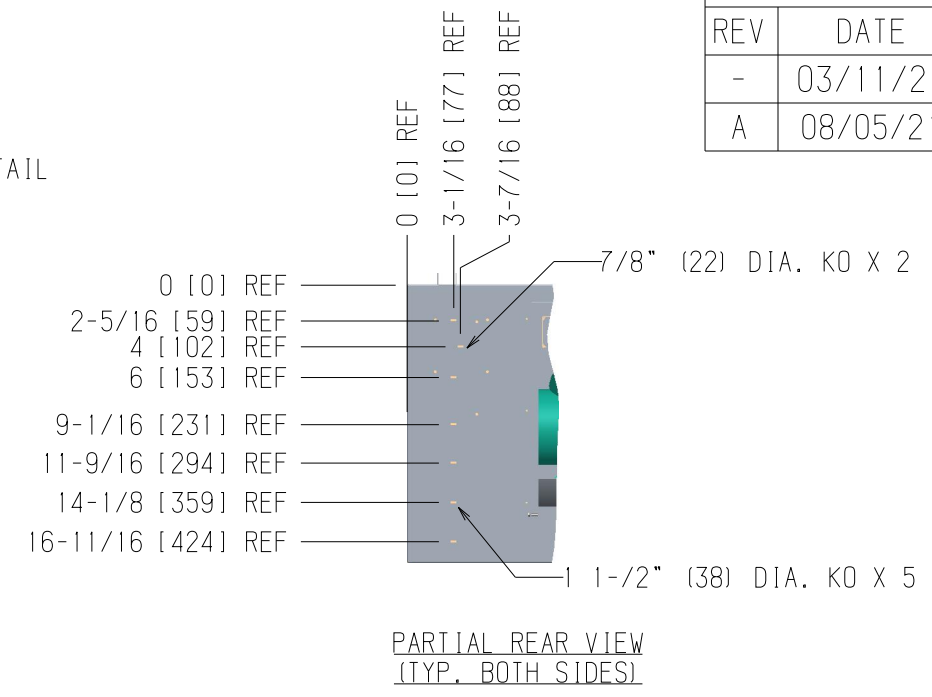
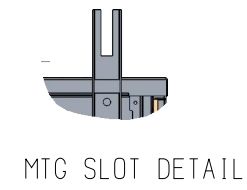
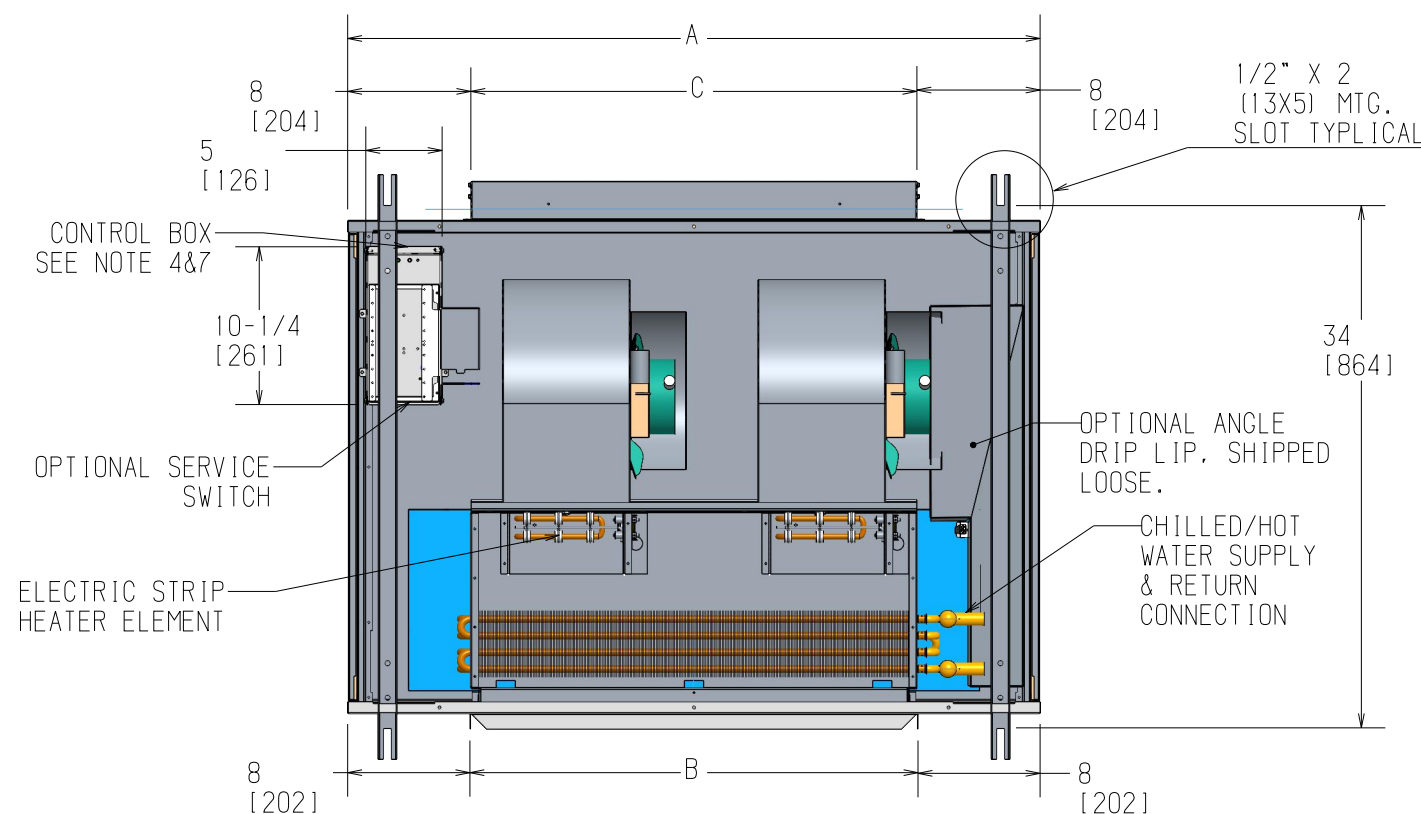


REVISION HISTORY		
REV	DATE	ECN
-	03/11/21	21-0295
A	08/05/21	21-1048



- NOTES:
1. RH COIL SHOWN. LH OPPOSITE.
 2. ALL DIMENSIONS ARE +/- .25 (6). DRAWING NOT TO SCALE.
 3. PRODUCT SPECIFICATIONS ARE SUBJECT TO CHANGE WITHOUT NOTICE.
 4. CONTROL BOX SIZE AND POSITION MAY VARY (CONSULT FACTORY)
 5. POSITION MAY VARY.
 6. SERVICE ACCESS IS LOCATED ON THE FRONT OF THE CONTROL BOX.
 7. KNOCKOUTS ON THE BOTTOM AND SIDE OF THE CONTROL BOX FOR INCOMING POWER CONNECTIONS
 8. DRIP LIP RECOMMENDED. REQUIRED WHEN VLVE PKG IS ORDERED.

Unit Model	Dimensions - Inches (Millimeters)				Quantity/Unit	
	A	B	C	D	Blower	Motor
HXY 06	31 (787)	15 (381)	15 (381)	26 (660)	1	1
HXY 08	36 (914)	20 (508)	20 (508)	31 (787)	1	1
HXY 10	40 (1016)	24 (610)	24 (610)	35 (889)	1	1
HXY 12	45 (1143)	29 (737)	29 (737)	40 (1016)	2	2
HXY 14	50 (1270)	34 (864)	34 (864)	45 (1143)	2	2
HXY 16	55 (1270)	39 (991)	39 (991)	50 (1270)	2	2
HXY 18	60 (1524)	44 (1118)	44 (1118)	55 (1397)	2	2
HXY 20	64 (1626)	48 (1219)	48 (1219)	59 (1499)	2	2

TITLE: HIGH PERFORMANCE HORIZONTAL ELEC HEAT

DWG NO: **1100-90045160**

REV: **A**

DRAWN: J. FUSON	DATE: 03/20/12	APPROVED: J. GRAVES	DATE: 03/20/12
-----------------	----------------	---------------------	----------------